



SMM5020 SERIES ~ Wire Wound Chip Common Mode Choke



FEATURES

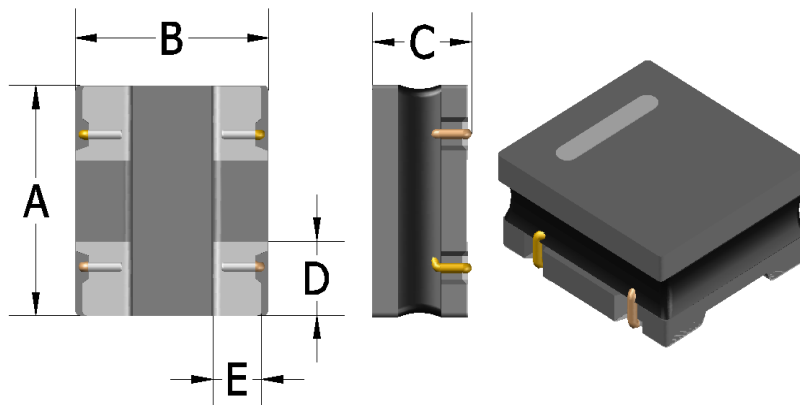
1. Miniature surface mount component – 5.0 × 4.5 mm footprint, 2.5 mm high
2. RoHS-compliant, halogen free. 260°C compatible.

PART NUMBERING SYSTEM

SMM	5020	—	101	—	LF
TYPE	DIMENSIONS		INDUCTANCE		LEAD FREE

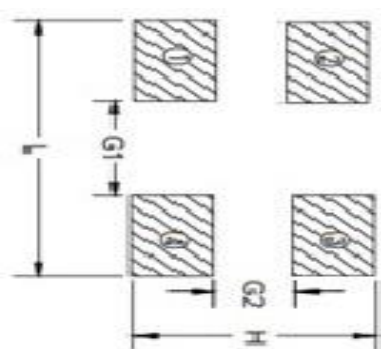
SHAPES AND DIMENSIONS

UNIT : mm

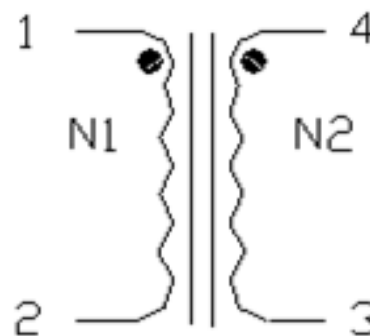


A=5.0±0.3 B=4.5±0.5 C=2.50 Max. D=1.6±0.2 E = 1.4±0.2

Recommended Footprint(mm)



L=5.5 typ. H=4.6 typ. G1=2.35 typ. G2=1.85 typ.





SMM5020 SERIES ~ Wire Wound Chip Common Mode Choke

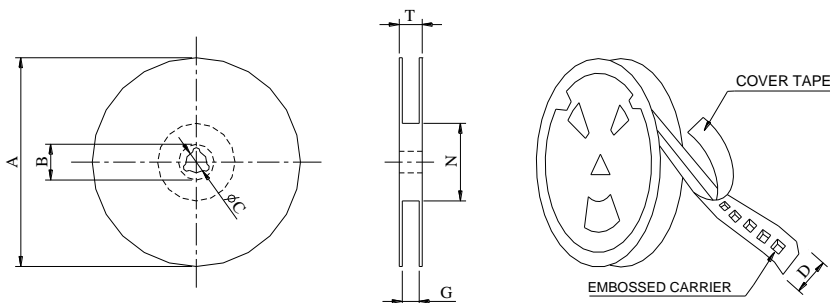


SPECIFICATION TABLE

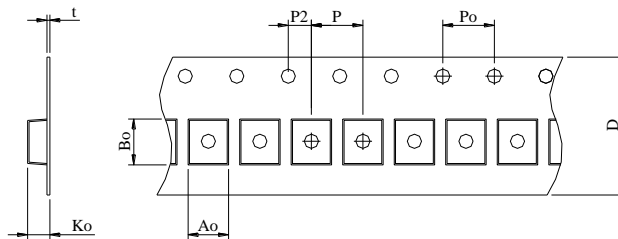
PART NUMBER	IMPEDANCE(Ω) (at 10MHz/ 25degree)	RATED CURRENT (mA)	DCR (m Ω) ($\pm 40\%$)	RATED VOLTAGE (Vdc)	Withstand VOLTAGE (Vdc)	INSULATION RESISTANCE (M Ω)
SMM5020-101-LF	100Typ.	6000	9.00	50	125	10 min.
SMM5020-251-LF	250Typ.	5000	14.0	50	125	10 min.
SMM5020-501-LF	500Typ.	4000	19.0	50	125	10 min.
SMM5020-102-LF	1000Typ.	3000	24.0	50	125	10 min.
SMM5020-142-LF	1400Typ.	1500	40.0	50	125	10 min.

Operating Temperature Range : -40°C to 125°C

PACKAGING SPECIFICATION



*CARRIER TAPE WIDTH : D



SERIES	STAYLE	Q'TY (PCS)	DIMENSIONS (m/m)								
			A	Ao	Bo	Ko	t	N	P	Po	T
SMM5020	330	2500	330	5.10	4.90	2.70	0.35	100	8	4	12